

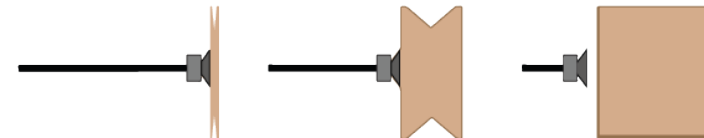


EGAcase erector

- automatic case forming



PACKAGING SYSTEM



FEATURES

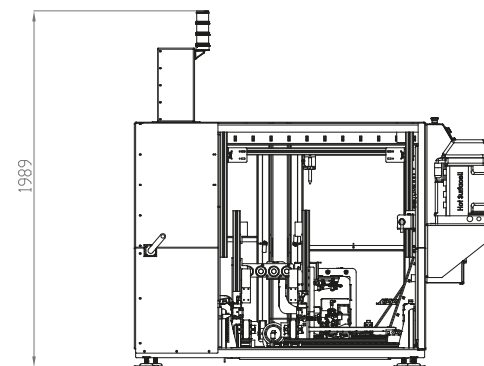
EGAcase erector stores, opens, folds and glues all foldable carton boxes suitable for automatic machinery handling eg. all FEFCO types of Fefco 0200 and 0201

- Dimensions, inlet and outlet can be customized.
- Fast changeover system with either adjustable rails or format tool
- Hot melt glue or tape
- Painted mild steel or stainless steel
- Cardboard magazine with driven belts
- Either standalone unit with HMI and PLC or as part of bigger line control
- Machine components from renowned brands- worldwide availability
- Safe, robust, reliable and environment friendly solution
- Remote access and service available - Ready for industry 4.0



SPECIFICATIONS

Dimensions (L x W x H)	2030x2200x2000 mm (without the tunnel guard)
Weight	approx. 1.000 kg
Box sizes (L x W x H) (other sizes available)	Min. 100x130x180 mm Max. 450x315x300 mm
Bottom sealing	Hot melt or tape
Changeover time	Max 10 minutes
Cardboard magazine length	Customizable
Capacity	Up to 15 boxes/min. (Depending on box type)



Cardboard magazine



Box outlet

